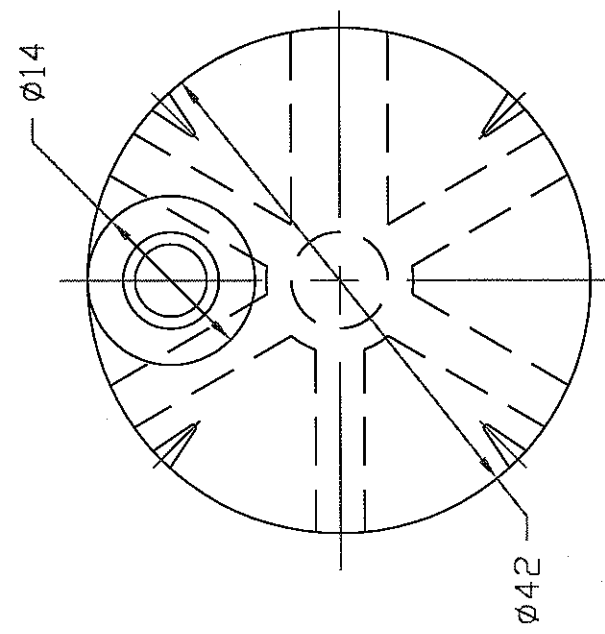
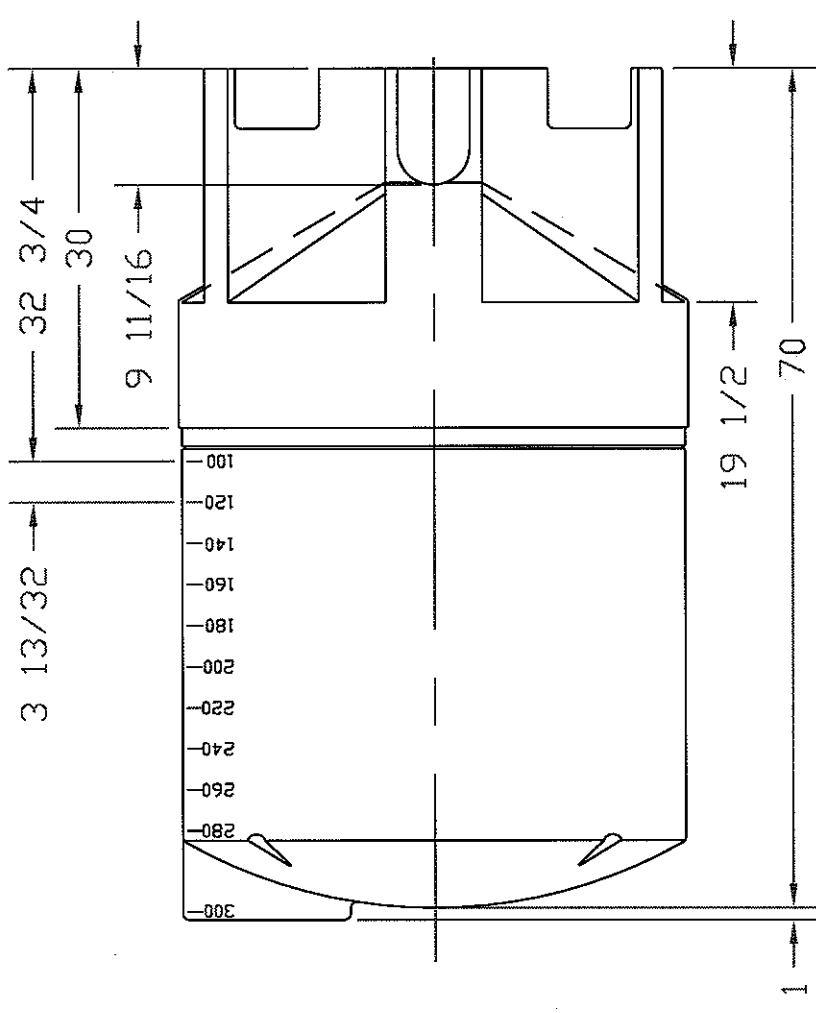


REVISIONS		
ZONE	REV	DESCRIPTION
	A	WAS 300
		DATE
		30 JUN 99
		APPROVED



		ST. BONIFACIUS, MN	
(A) 310 GALLON CONE BOTTOM TANK WITH STAND		FSCM NO. _____ DWG NO. _____	
JTP	08APR97	SIZE A	REV
SCALE 1/16		SHEET	